

# KC Series

## MAGNETIC SEALLESS PUMPS

### KC4 & 5 Sealless Centrifugal Pumps

1/4 and 1/3 HP  
.11 and .15 kW



KC4 ODP



KC5 TEFC

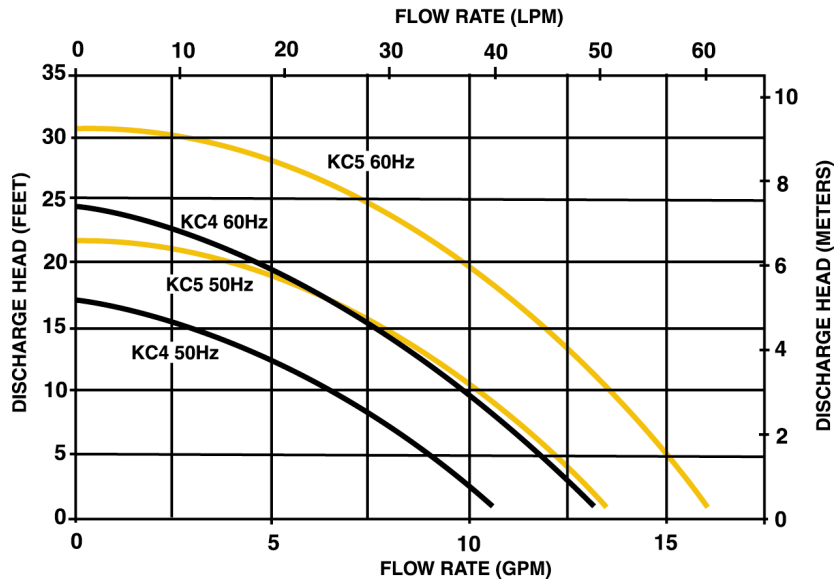
### Features

- Neodymium magnetic technology
- 1.8 SG
- Polypropylene or PVDF
- TEFC (IP 54) or ODP (IP 22) motors
- NPT or BSP threads
- Carbon or PTFE bushing
- Viton or EPDM o-ring
- Retrofittable to existing OEM equipment
- Back pull-out design for easy service

### Typical Applications

- OEM applications
- Chemical processing
- Plating
- Printed circuit board manufacturing
- Semi-conductor
- Wet scrubber
- Photo processing
- Pulp and paper
- Pharmaceuticals
- Heat exchanger

### Performance



# Specifications

MODEL NUMBER	SUCTION FNPT or FBSP (DISCHARGE) (MNPT OR MBSP)	IMPELLER SIZE		MAX. FLOW		MAX. HEAD		SPECIFIC GRAVITY* @ 30 CPS	MOTOR		MAX. INLET PRESSURE		WEIGHT**		MAX. TEMP. PP		MAX. TEMP. PVDF	
				3450 rpm	2850 rpm	3450 rpm	2850 rpm		60 Hz	50 Hz					°F	°C	°F	°C
		inch	cm	US gpm	lpm	ft	m		HP (kW)	kW (HP)	psi	lbs	kg	°F	°C	°F	°C	
KC 4	1" (1/2")	2.3	5.8	13.5	40	24	5	1.8	1/4 (.187)	.11 (.150)	60	17	7.7	180	82	220	104	
KC 5	1" (1/2")	2.7	6.9	16	51	31	6.5	1.8	1/3 (.248)	.15 (.2)	60	17	7.7	180	82	220	104	

\*Obtainable without trimming impeller.

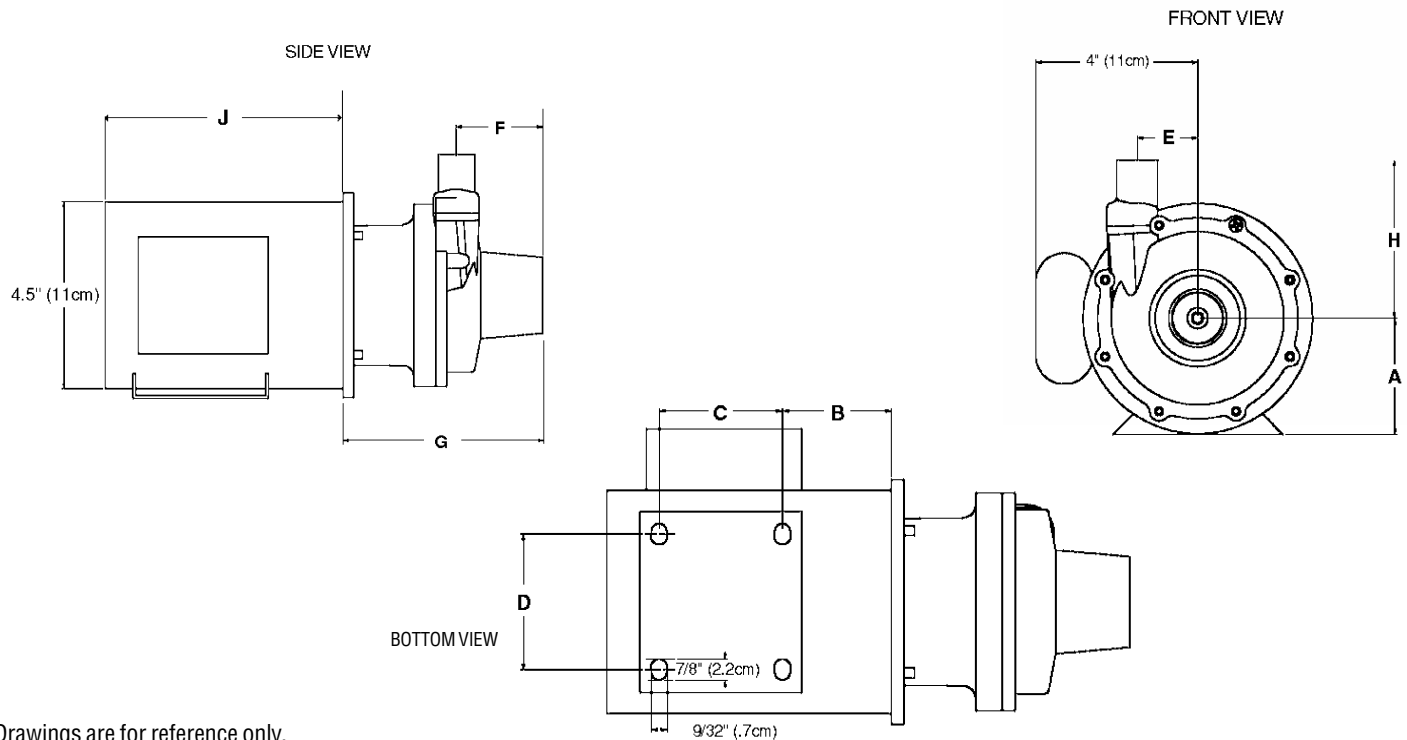
\*\*Weights listed are for ODP motor. TEFC motor is 24 lbs. or 10.9 kg.

Note: Actual performance may vary. Pump models and performance vary with conditions.

# Dimensions

MODEL NUMBER	THREAD	A		B		C		D		E		F		G		H		J*	
		inch	cm	inch	cm	inch	cm	inch	cm	inch	cm	inch	cm	inch	cm	inch	cm	inch	cm
KC4	NPT	2-5/8		1		2-1/8		3-1/2		1-1/4		2		4-5/8		3-1/4		7-1/8	
	BSP		6.7		2.54		5.4		8.9		3.2		5.1		11.7		8.3		18
KC5	NPT	2-5/8		1		2-1/8		3-1/2		1-1/4		2		4-5/8		3-1/4		7-1/8	
	BSP		6.7		2.54		5.4		8.9		3.2		5.1		11.7		8.3		18

\*Dimensions listed are for ODP motor; TEFC motor is 9-5/8" or 25 cm.



Drawings are for reference only.



**FINISH THOMPSON INC.**

921 Greengarden Road • Erie, PA 16501-1591 U.S.A.

Ph 814-455-4478 • Fax 814-455-8518

Email [fti@finishthompson.com](mailto:fti@finishthompson.com) • [www.finishthompson.com](http://www.finishthompson.com)

Toll Free USA & Canada 1-800-934-9384

Literature I.D. No. - FT99-748B, 9/5/03

