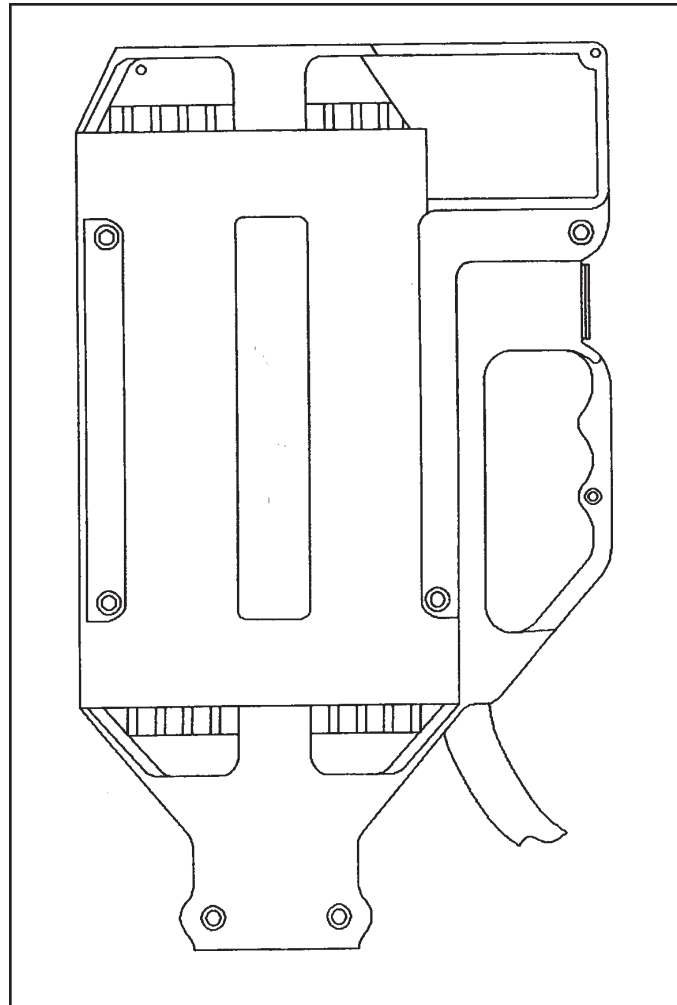




4310 N. 126th St., Brookfield, WI 53005 (USA)  
Phone (262) 781-5020 ~ Fax (262) 781-8120  
[www.grovhac.com](http://www.grovhac.com)

## **M3X Parts Sheet**

Date: 1/05



**ALWAYS use an approved plug for Class I, Division 1, Group C & D applications on this motor.**

- \* With the exception of the motor housing repair kit, safety regulations specify that only certified technicians may perform maintenance or repairs of any kind on this type of motor. Failure to comply could result in dangerous environments and will void any warranty. Contact the manufacturer with any questions.
- \* To order a motor housing repair kit, which includes both motor covers plus all applicable hardware, use part number **A101455**. This kit is the only replacement item that may be ordered and worked on by the user.